

OPERATION AND INSTALLATION

FUNCIONAMIENTO E INSTALACIÓN

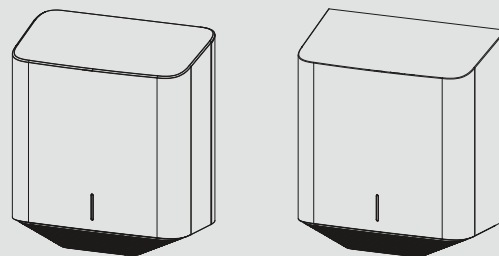
FONCTIONNEMENT ET INSTALLATION

Touchless Automatic High-Speed Hand Dryers

Secadores de manos automáticos de alta velocidad sin contacto

Sèche-mains automatiques à haute vitesse sans contact

- » Ultronic™-1 Plus
- » Ultronic™-1 Premium
- » Ultronic™-2 Plus
- » Ultronic™-2 Premium



Certified to ANSI/UL Std. 50
Conforms to CAN/CSA Std. C22.2 No.113

Certificación con ANSI/UL Std. 50
Conforme a CAN/CSA Std. C22.2 No.113

Certifié à la norme ANSI/UL Std. 50
Conforme à la norme CAN/CSA Std. C22.2 No.113

STIEBEL ELTRON

TABLE OF CONTENTS

SPECIAL INFORMATION

OPERATION

1. General information	4
1.1 Safety instructions	4
1.2 Other symbols in this documentation	5
1.3 Information on the appliance	5
1.4 Units of measurement	5
2. Safety	6
2.1 Intended use	6
2.2 General safety instructions	6
2.3 Test mark	7
3. Register your product	7
4. Appliance description	8
5. Operation	8
6. Cleaning, care and maintenance	8
7. Troubleshooting	9

INSTALLATION

8. Safety	10
8.1 General safety instructions	10
8.2 Instructions, standards and regulations	10
9. Appliance description	10
9.1 Standard delivery	10

10. Preparation	10
10.1 Installation site	10
10.2 Minimum clearances	11
10.3 Guidelines for installation height	11
11. Installation	12
11.1 Fitting the wall mounting bracket	12
11.2 Electrical connection	14
11.3 Opening the appliance	15
11.4 Inserting the HEPA filter	16
11.5 Activating/deactivating appliance functions	17
11.6 Fitting the casing cover	17
11.7 Installing the appliance	18
11.8 Appliance handover	18
12. Cleaning and maintenance	18
12.1 Cleaning	19
12.2 Changing the HEPA filter	19
13. Specification	20
13.1 Dimensions and connections	20
13.2 Data table	21

WARRANTY

ENVIRONMENT AND RECYCLING

DRILLING TEMPLATE (IN THE CENTER SECTION OF THESE INSTRUCTIONS)

SPECIAL INFORMATION

- Keep children under the age of 3 away from the appliance if constant supervision cannot be guaranteed.
- Children from the age of 3 to 7 may switch the appliance on and off, provided they are supervised or have been instructed in the safe operation of the appliance and understand any risks that may result. This is subject to the appliance having been installed as described. Children from the age of 3 to 7 must not plug the power cable into its socket or regulate the appliance.
- The appliance may be used by children aged 8 and older and persons with reduced physical, sensory or mental capabilities or a lack of experience and know-how, provided that they are supervised or they have been instructed on how to use the appliance safely and have understood the potential risks. Children must never play with the appliance. Cleaning and user maintenance must not be carried out by children without supervision.
- Parts of the appliance can get very hot and may cause burns. Particular caution is advised when children or vulnerable persons are present.
- To prevent the appliance from overheating, never cover it with anything.
- Never install the appliance directly below a wall socket.

General information

- In the case of a permanent connection, ensure the appliance can be separated from the power supply by an isolator that disconnects all poles with at least 3 mm contact separation.
- The specified voltage must match the power supply.
- The appliance must be connected to the ground conductor.
- To prevent hazards, the power cable must only be replaced (for example if damaged) by a qualified contractor authorized by the manufacturer, using an original spare part.
- Secure the appliance as described in chapter "Installation / Installation".
- This manual may also be downloaded at: www.stiebel-eltron-usa.com/installation-manuals

OPERATION

1. General information

The chapters "Special information" and "Operation" are intended for appliance users and qualified contractors.

The chapter "Installation" is intended for qualified contractors.



Note

Read these instructions carefully before using the appliance and retain them for future reference.
Pass on these instructions to a new user if required.

1.1 Safety instructions

1.1.1 Structure of safety instructions



KEYWORD Type of risk




Here, possible consequences are listed that may result from failure to observe the safety instructions.

▶ Steps to prevent the risk are listed.

OPERATION

General information

1.1.2 Symbols, type of risk

Symbol	Type of risk
	Injury
	Electrocution
	Burns (burns, scalding)

1.1.3 Signal words

Keyword	Meaning
DANGER	Failure to observe this information will result in serious injury or death.
WARNING	Failure to observe this information may result in serious injury or death.
CAUTION	Failure to observe this information may result in non-serious or minor injury.



1.2 Other symbols in this documentation



Note


General information is identified by the adjacent symbol.

- ▶ Read these texts carefully.

Symbol	Meaning
	Property damage (appliance damage, consequential losses and environmental pollution)
	Appliance disposal

- ▶ This symbol indicates that you have to do something. The action you need to take is described step by step.

1.3 Information on the appliance

Symbol	Meaning
	Never cover the appliance

1.4 Units of measurement



Note

All measurements are given in inches (mm) unless stated otherwise.

2. Safety

2.1 Intended use

The appliance is used to dry wet hands.

The appliance is intended for domestic use. The unit can be used safely by untrained persons. The appliance can also be used in non-domestic environments, e.g. in commercial and industrial applications, as long as it is used in the same way.

Any other use beyond that described shall be deemed inappropriate. Observation of these instructions and of the instructions for any accessories used is also part of the correct use of this appliance.

2.2 General safety instructions



CAUTION Burns

- Do not lean any objects against the appliance.
- Never place any flammable, combustible or insulating objects or materials on the appliance or in direct proximity to it.
- Ensure that the air intake and discharge on the underside of the appliance are never blocked.



WARNING Electrocutation

Never insert any object into appliance openings.



WARNING Injury

- Keep children under the age of 3 away from the appliance if constant supervision cannot be guaranteed.
- Children from the age of 3 to 7 may switch the appliance on and off, provided they are supervised or have been instructed in the safe operation of the appliance and understand any risks that may result. This is subject to the appliance having been installed as described. Children from the age of 3 to 7 must not plug the power cable into its socket or regulate the appliance.
- The appliance may be used by children aged 8 and older and persons with reduced physical, sensory or mental capabilities or a lack of experience and know-how, provided that they are supervised or they have been instructed on how to use the appliance safely and have understood the potential risks.
- Children must never play with the appliance. Cleaning and user maintenance must not be carried out by children without supervision.



CAUTION Burns

Parts of the appliance can get very hot and may cause burns. Particular caution is advised when children or vulnerable persons are present.

OPERATION

Register your product



CAUTION UV light exposure
The unit has a built-in antimicrobial UV-C lamp. Avoid direct eye contact with the UV-C lamp.



WARNING Burns
Never operate this appliance...

- if the distance from adjacent objects or other flammable materials would be less than the minimum permissible distance.
- in rooms where it is at risk of fire or explosion as a result of chemicals, dust, gases or vapors. Ensure the room is adequately ventilated before using the appliance.
- in the direct proximity of pipes or receptacles that carry or contain flammable or explosive materials.
- if an appliance component is damaged, the appliance has fallen over or there is a fault.



WARNING Overheating
To prevent the appliance from overheating, never cover it with anything.

2.3 Test mark

See type plate on the appliance. The type plate is located on the back of the appliance.

3. Register your product



You must register this product within 90 days of purchase on our website in order to activate the standard warranty or to be eligible for the extended warranty. Go to our web site at: www.stiebel-eltron-usa.com and click on Register Your Product.

Before beginning the registration process, we suggest that you gather the necessary information which will be as follows:

Type, Example: Ultronic-1 Premium (from the label that is on the back of the unit)

Number listed after “Nr.”

Place of Purchase

Purchase Date

First & Last Name

Email address

Physical Address

Phone Number

IF YOU HAVE ANY QUESTIONS CONCERNING THE REGISTRATION PROCESS OR WARRANTY OPTIONS, PLEASE CONTACT STIEBEL ELTRON USA DIRECTLY AT (800)-582-8423.

OPERATION

Appliance description

4. Appliance description

The appliance works without contact. If you hold your hands in the IR sensor detection range, the appliance fan is automatically enabled.

The appliance dries hands by removing the moisture with a concentrated jet of air. A switchable heating element increases your comfort during hand drying.

When you move your hands away from the IR sensor detection range, the appliance stops automatically.

Additional hygiene is provided by the HEPA filter and the air cleaning function with UV-C light and ion generator. The appliance reliably removes dust, pollen, bacteria and viruses from the indoor air.

In silent mode, the appliance operates more quietly with a reduced fan speed.

The switchable heating element, air cleaning function and silent mode can be activated and deactivated by a qualified contractor (see chapter "Installation / Activating/deactivating appliance functions").

5. Operation

- ▶ Shake your wet hands over the washbasin before drying to reduce the drying time.
- ▶ Hold your hands under the air outlet.

- ▶ Move your hands slowly back and forth in the airflow.

The blue LED on the underside of the appliance flashes during operation. When you move your hands away from the IR sensor detection range, the appliance stops automatically.

When used without interruption, the appliance stops automatically after approx. 50 seconds to avoid constant operation.

When the air cleaning function is activated, it switches on automatically during operation.

LED indicator on the front of the appliance

Operating mode	LED indicator
Standby mode	Steady white light
Operation	Fast blinking light, white
Operation with air cleaning function	Slow blinking light, white

6. Cleaning, care and maintenance



Property damage

Ensure that no moisture can enter the appliance.



Property damage

Unsuitable cleaning agents may damage the appliance casing.

- ▶ Never use abrasive or corrosive cleaning agents.
-

Troubleshooting

- ▶ Wipe the appliance casing regularly with a soft, damp cloth.
- ▶ Clean the air intake area on the underside of the appliance regularly with a brush.

7. Troubleshooting

Problem	Cause	Solution
The appliance does not start.	There is no power.	<p>Check whether a circuit breaker has tripped in the main breaker panel.</p> <p>Check that the appliance is installed correctly on the wall mounting bracket.</p>
	Covering the IR sensor can impair the function of the appliance. When used without interruption, the appliance stops automatically after approx. 50 seconds to avoid constant operation.	<p>Check whether any objects etc. are interfering with the IR sensor detection range.</p> <p>After removing the interference factors, the appliance operates normally.</p>
The LED on the front of the appliance flashes red.	At least 60,000 applications with the built-in HEPA filter have been reached. The filter must be replaced. The appliance can still be operated without the filter function. After approx. 75,000 applications, the appliance can no longer be operated until the filter is replaced.	Ask a qualified contractor to replace the HEPA filter.

Problem	Cause	Solution
The blue LED on the underside of the appliance flashes.	The PCB or fan motor is faulty.	Contact a qualified contractor.

If you cannot solve the problem, contact your qualified contractor. To facilitate and speed up your inquiry, please provide the serial number from the type plate (000000-0000-000000).

INSTALLATION

8. Safety

Only a qualified contractor should carry out installation, commissioning, maintenance and repair of the appliance.

8.1 General safety instructions

We guarantee trouble-free functional and operational reliability only if original accessories and spare parts intended for the appliance are used.

8.2 Instructions, standards and regulations



Note

Observe all applicable national and regional regulations and instructions.

9. Appliance description

9.1 Standard delivery

The following are delivered with the appliance:

- Wall mounting bracket (fitted on the appliance)

- HEPA filter
- Torx key
- Spare screw
- 3 screws and 3 rawl plugs to secure the wall mounting bracket
- Cable cover with 2 screws
- Drilling template (in the center section of these instructions)

10. Preparation

10.1 Installation site



Property damage

The appliance is exclusively designed for indoor installation. The appliance can be damaged if it is exposed to the elements.



Note

The appliance must be installed flush against a wall with sufficient load bearing capacity.

- ▶ Mount the appliance only on a vertical wall.

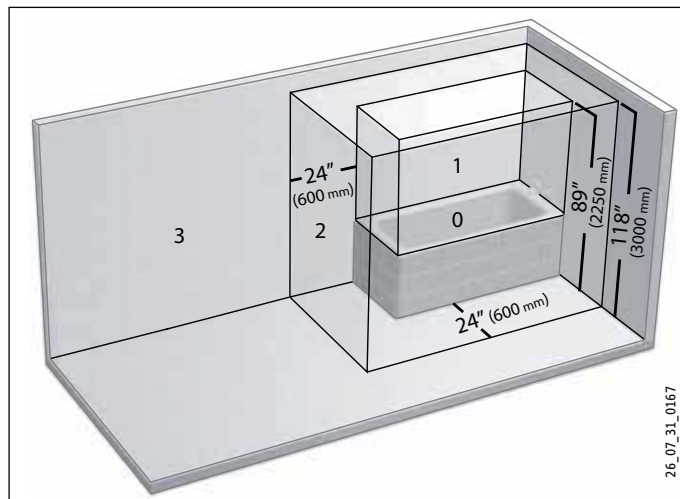
INSTALLATION

Preparation

Installation in bathrooms

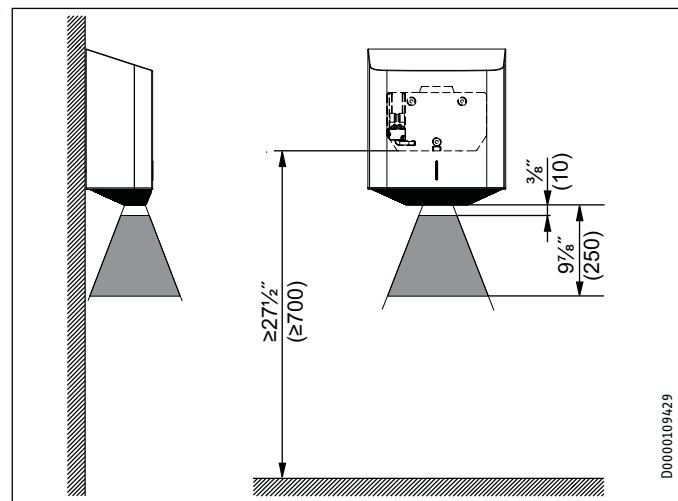


WARNING Electrocutation
Only install the appliance outside safety zone 2.



Electrical safety zones in the bathroom

10.2 Minimum clearances



- Maintain the minimum clearances to adjacent object surfaces to ensure trouble-free operation.

10.3 Guidelines for installation height








Note

The height indicates the distance between the top drill holes and the floor.

INSTALLATION

Installation

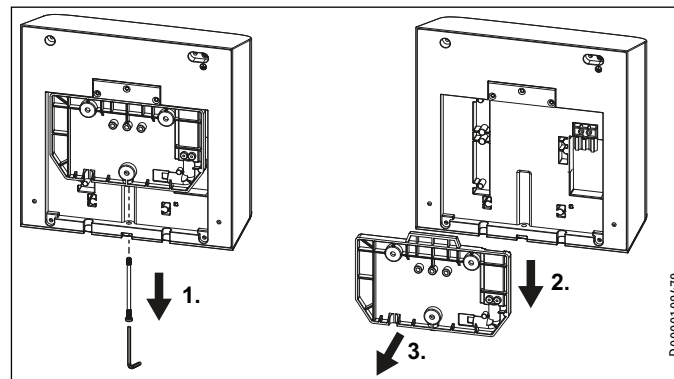
	Categories of people	Height
	Adult man	55" (1400 mm)
	Adult woman	53¾" (1365 mm)
	Children 5-8 years old	40½" (1028 mm)
	Children 8-11 years old	44½" (1128 mm)
	Children 11-14 years old	47½" (1208 mm)
	Wheelchair users	45¼" (1150 mm)

11. Installation

11.1 Fitting the wall mounting bracket

The appliance is intended for wall mounting using the wall mounting bracket supplied.

- ▶ Place the appliance on a soft underlay to prevent damage to the surface.



- ▶ Undo the locking screw on the underside of the appliance using the Torx key included in the standard delivery.
- ▶ Pull the wall mounting bracket downwards.
- ▶ Remove the wall mounting bracket from the appliance.

INSTALLATION

Installation



Note

- ▶ When positioning the wall mounting bracket, observe the position and length of the power cable.



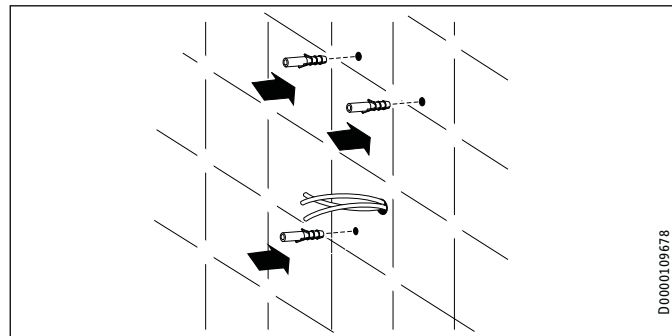
Note

- ▶ Use the relevant standard values as a guide for the installation height (see chapter "Preparations / Standard values for the installation height").



Property damage

- If you hit electrical cables when drilling, the circuit breaker will trip and the cable will be damaged. If you hit pipes when drilling, there is a risk of water damage.
- ▶ Make sure that you do not damage any electrical cables or pipes when drilling.



- ▶ Mark out the 3 drilling positions with reference to the drilling template (in the center section of these instructions) or the wall mounting bracket.
- ▶ Drill the holes and insert the provided rawl plugs.

INSTALLATION

Installation

11.2 Electrical connection



WARNING Electrocutation

Carry out all electrical connection and installation work in accordance with national and regional regulations.



WARNING Electrocutation

In the case of a permanent connection, ensure the appliance can be separated from the power supply by an isolator that disconnects all poles with at least 3 mm contact separation.



WARNING Electrocutation

Ensure that the appliance is connected to the ground conductor.



Property damage

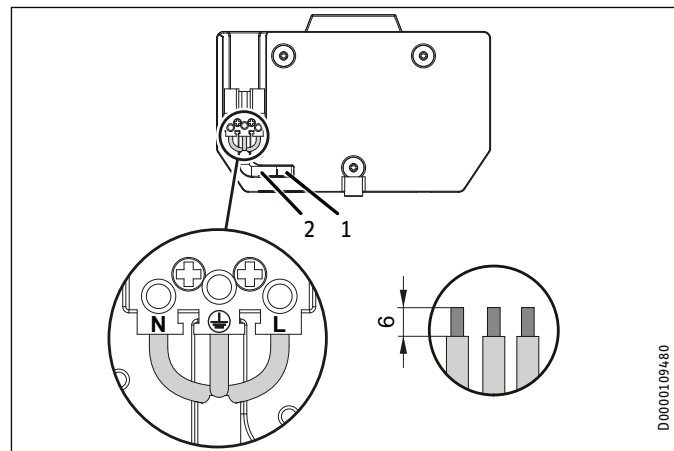
Observe the type plate. The specified voltage must match the mains power supply.



Property damage

► When making the connection to a standard safety socket (in the case of a power cable with mains plug), ensure that the socket is freely accessible after the appliance has been installed.

The power supply can be connected directly to the appliance or via a power cable with mains plug.



- 1 Cable entry
- 2 Cable duct



Note

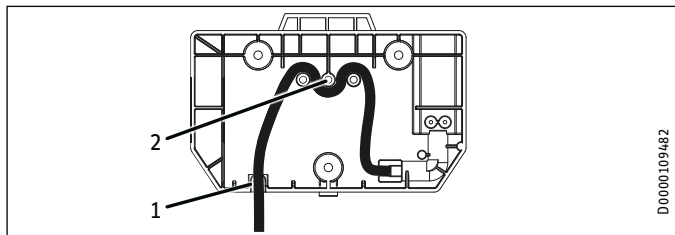
► Make sure the length of the power cable is sufficient to pass correctly through the wall mounting bracket to the terminal.

- Route the power cable from the back through the cable grommet of the wall mounting bracket.

INSTALLATION

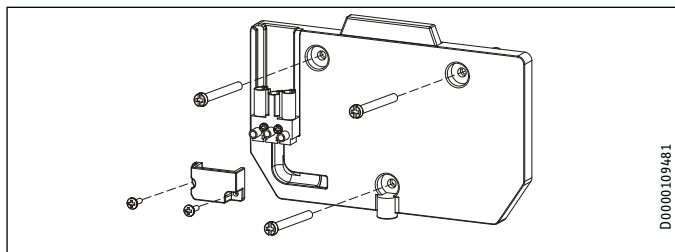
Installation

- ▶ Connect the power cable to the mains terminal according to the markings.
- ▶ Lay the power cable in the cable duct.



- 1 Cable exit
- 2 Strain relief fittings

- ▶ If the power cable is routed through the cable exit, route the connecting cable through the 3 integral strain reliefs on the back of the wall mounting bracket.

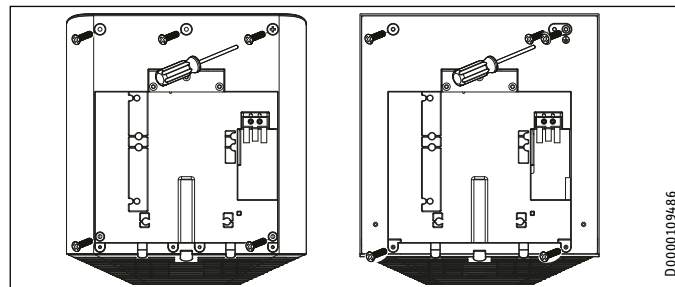


- ▶ Secure the wall mounting bracket to the wall with the provided screws.
- ▶ Secure the cable cover to the wall mounting bracket.

11.3 Opening the appliance

Remove the casing cover to insert the HEPA filter or to set the appliance functions.

If you want to start the appliance directly, you can continue the installation by following the chapter “Installing the appliance”.



Ultronic™ Plus

5 Phillips screws

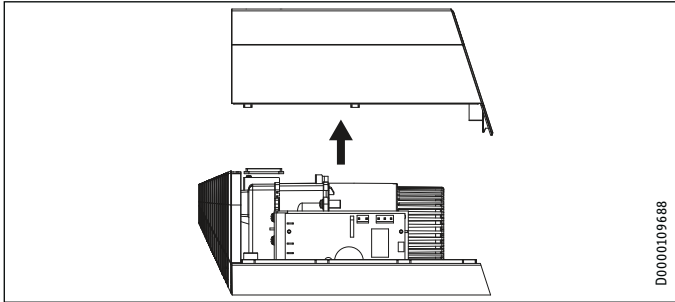
Ultronic™ Premium

5 Phillips screws - 4 casing, 1 ground

- ▶ Use a suitable screwdriver to unscrew the Phillips screws on the back of the appliance.

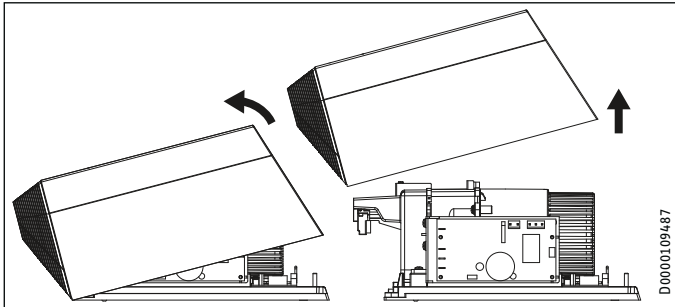
INSTALLATION

Installation



D0000109688

Ultronic™ Plus

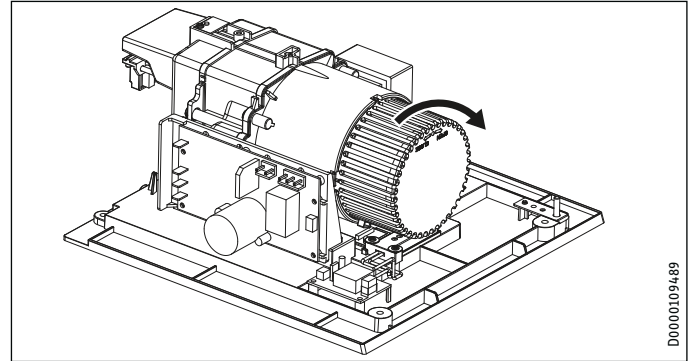


D0000109487

Ultronic™ Premium

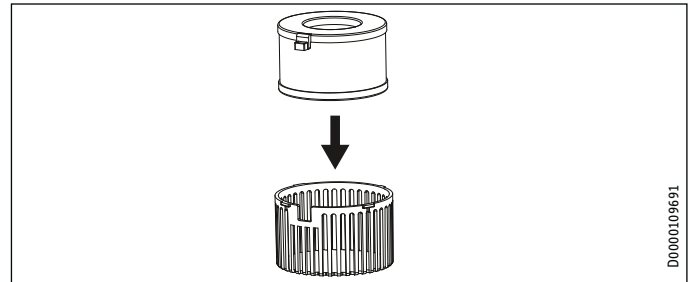
- ▶ Remove the casing cover from the appliance.

11.4 Inserting the HEPA filter



D0000109489

- ▶ To unlock the filter casing, turn it in the direction indicated on the filter casing (OPEN) and remove the filter casing.

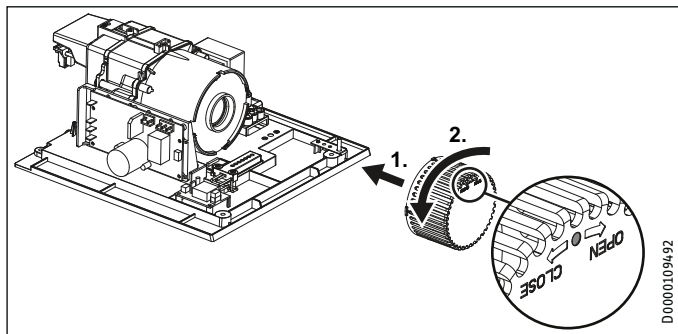


D0000109691

- ▶ Insert the filter into the filter casing.

INSTALLATION

Installation

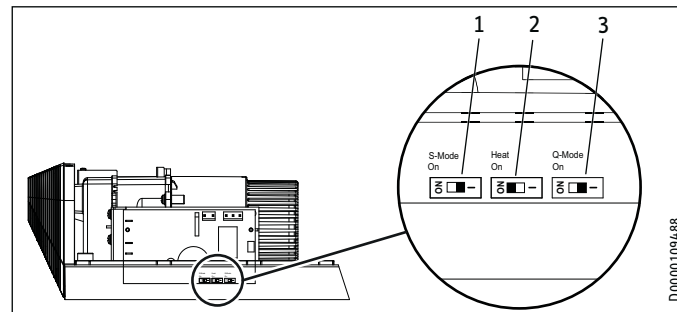


- ▶ Replace the filter casing on the motor. Align the point on the filter casing with the upper groove on the motor cover.
- ▶ Turn the filter casing in the direction indicated on the filter casing (CLOSE) until you hear it click into place.

11.5 Activating/deactivating appliance functions



CAUTION UV light exposure
The unit has a built-in antimicrobial UV-C lamp. Avoid direct eye contact with the UV-C lamp.



- 1 Air cleaning function
- 2 Heating function
- 3 Silent mode

Function	Factory setting
Air cleaning function with UV-C light and ion generator	OFF
Heating function with switchable heating element	ON
Silent mode with reduced fan speed	OFF

- ▶ Switch the required functions on or off using the DIP switch.

11.6 Fitting the casing cover

- ▶ Place the casing cover on the back panel of the appliance.
- ▶ Check that the casing cover is seated correctly on the appliance.
- ▶ Tighten the Philips screws on the back of the appliance.

INSTALLATION

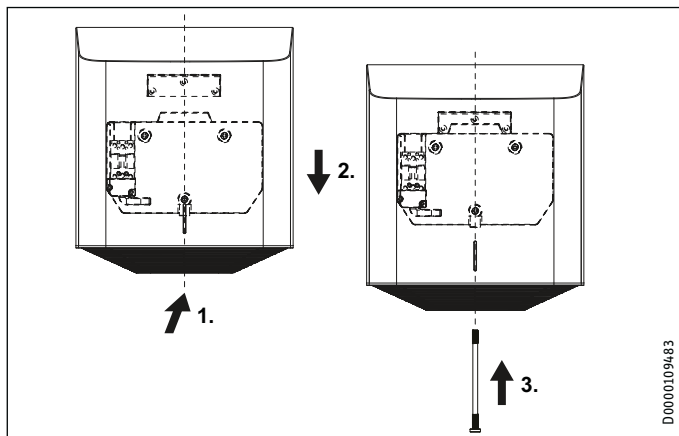
Cleaning and maintenance



WARNING Electrocutation

Do not forget to screw on the grounding connection screw. The grounding connection screw is located on the rear of the unit in the upper right-hand corner.

11.7 Installing the appliance



- ▶ Position the appliance centrally over the wall mounting bracket so the metal retainer on the back of the appliance is above the fixture of the wall mounting bracket.
- ▶ Press the appliance against the wall and slowly push the appliance down as far as it will go.

- ▶ On the underside of the appliance, fasten the locking screw into the wall mounting bracket using the provided Torx key.
- ▶ Switch on the power supply or insert the mains plug on the power cable, if fitted, into the standard safety socket.

The LED on the front of the appliance flashes red three times, then lights up white. The unit is ready for operation.

- ▶ Check the appliance function.

11.8 Appliance handover

- ▶ Explain the functions of the appliance to the user.
- ▶ Draw special attention to the safety instructions.
- ▶ Hand over these operating and installation instructions to the user.

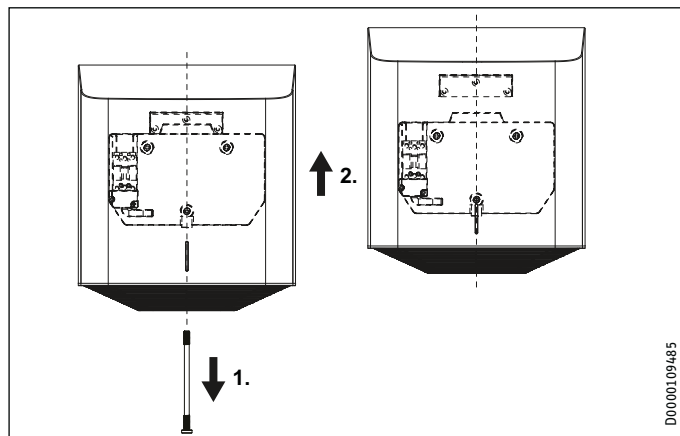
12. Cleaning and maintenance



WARNING Electrocutation

Before any work on the appliance, disconnect all poles from the power supply.

- ▶ Before starting any cleaning and maintenance work, remove the appliance from the wall mounting bracket.



- ▶ Undo the locking screw on the underside of the appliance using the provided Torx key.
- ▶ Lift the appliance off the wall mounting bracket.
- ▶ Make sure that the LED on the front of the appliance is off before you open the appliance.

12.1 Cleaning

The interior of the appliance must be cleaned regularly to remove dust deposits.

- ▶ Open the appliance (see chapter "Installation / Opening the appliance").

- ▶ Remove the dust from inside the appliance.
- ▶ Fit the casing cover (see chapter "Installation / Fitting the casing cover").
- ▶ Hang the appliance on the wall mounting bracket (see chapter "Installation / Installing the appliance").

12.2 Changing the HEPA filter



Note

A built-in filter must be replaced after 60,000 applications. The appliance can still be operated, but without the effectiveness of a HEPA filter. After approx. 75,000 applications, the LED on the front of the appliance flashes red. The appliance cannot be operated again until a new filter is inserted.

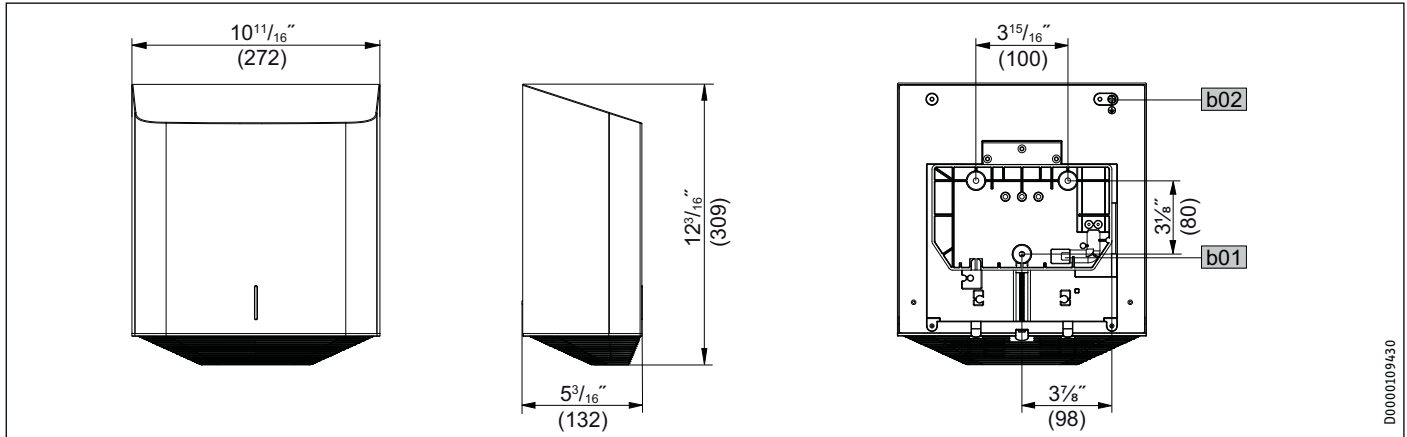
The HEPA filter is available as a spare part, item no. 205638.

- ▶ Open the appliance (see chapter "Installation / Opening the appliance").
- ▶ Replace the filter (see chapter "Installation / Installing the HEPA filter").
- ▶ Fit the casing cover (see chapter "Installation / Fitting the casing cover").
- ▶ Hang the appliance on the wall mounting bracket (see chapter "Installation / Installing the appliance").

INSTALLATION Specification

13. Specification

13.1 Dimensions and connections



Ultronic™ Plus & Premium

b01 Entry electrical cables

b02 Grounding connection screw

INSTALLATION

Specification

13.2 Data table

Model No.	Ultronic™-1 Plus	Ultronic™-1 Premium	Ultronic™-2 Plus	Ultronic™-2 Premium
Item no.	205634	205636	205635	205637
Electrical Data				
Phase - 60 hz	single	single	single	single
Voltage	120 v	120 v	240 v 208 v	240 v 208 v
Wattage	820 w	820 w	750 w 640 w	750 w 640 w
Wattage, heating elements	500 w	500 w	435 w 330 w	435 w 330 w
Wattage, fan(s)	320 w	320 w	320 w 310 w	320 w 310 w
Amperage	6.8 A	6.8 A	3.5 A 3.5 A	3.5 A 3.5 A
Required circuit breaker size	15 A			
Required wire size	#16 AWG copper		#18 AWG copper	
Dimensions				
Height	12 ³ / ₁₆ " (309 mm)			
Width	10 ¹¹ / ₁₆ " (272 mm)			
Depth	5 ³ / ₁₆ " (132 mm)			
Weight				
Weight	6.2 lb. (2.8 kg)	8.8 lb. (4.0 kg)	6.2 lb. (2.8 kg)	8.8 lb. (4.0 kg)
Construction				
Color	Alpine white	Stainless steel	Alpine white	Stainless steel
Housing material	Plastic	Stainless steel	Plastic	Stainless steel
Degree of protection (IP)	IP X3			
Protection class	I			
Other				
Sound level	76 dB(A) @ 1m			
Air speed	215 mph (96 m/s)			
Air speed, sterilization mode	38 mph (17 m/s)			
Air volume	49.5 CFM (84 m ³ /h)			
Drying time	10-12 seconds			

These are our recommendations. Check local codes for compliance if necessary.

WARRANTY

RESIDENTIAL & COMMERCIAL WARRANTY: STIEBEL ELTRON WARRANTS TO THE ORIGINAL OWNER THAT THE GALAXY™ OR ULTRONIC™ TOUCHLESS AUTOMATIC HAND DRYER WILL BE FREE FROM DEFECTS IN WORKMANSHIP AND MATERIALS FOR A PERIOD OF FIVE (5) YEARS FROM THE DATE OF PURCHASE. SHOULD THE PART(S) PROVE TO BE DEFECTIVE UNDER NORMAL USE DURING THIS PERIOD, STIEBEL ELTRON, INC. WILL BE RESPONSIBLE FOR REPLACEMENT OF THE DEFECTIVE PART(S) ONLY. STIEBEL ELTRON, INC. IS NOT RESPONSIBLE FOR LABOR CHARGES TO REMOVE AND/OR REPLACE THE DEFECTIVE PART(S), OR ANY INCIDENTAL OR CONSEQUENTIAL EXPENSES.

SHOULD THE OWNER WISH TO RETURN THE HAND DRYER FOR REPAIR, THE OWNER MUST FIRST SECURE WRITTEN AUTHORIZATION FROM STIEBEL ELTRON, INC. THE OWNER SHALL BE REQUIRED TO SHOW PROOF OF PURCHASE DATE, AND TO PAY ALL TRANSPORTATION COSTS TO RETURN THE DEFECTIVE PART(S) OR HAND DRYER FOR REPAIR OR REPLACEMENT. WARRANTY IS VOID IF WATER HEATER HAS BEEN INSTALLED OR USED IMPROPERLY OR IF DESIGN HAS BEEN ALTERED IN ANY WAY.

Environment and recycling

We would ask you to help protect the environment. After use, dispose of the various materials in accordance with national regulations.

This Warranty is valid for U.S.A. & Canada only. Warranties may vary by country. Please consult your local Stiebel Eltron representative for the Warranty for your country.